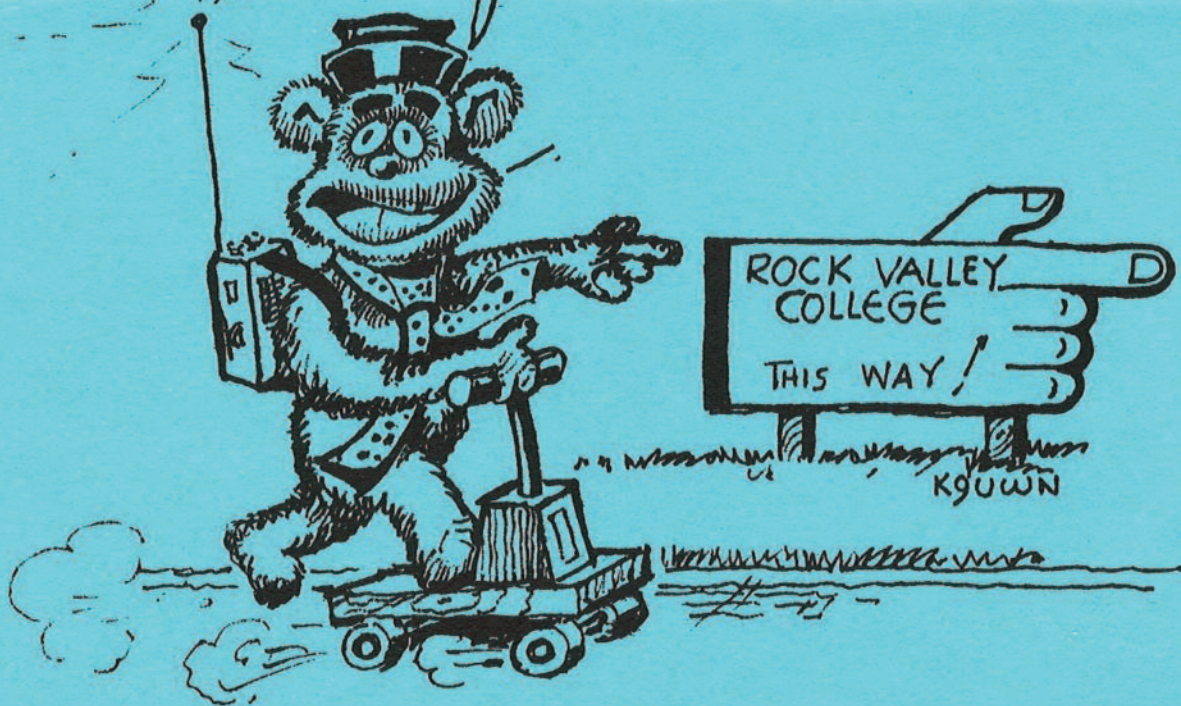


Ham Rag

Rockford Amateur Radio Association

October, 1981

COME ON GANG! LET'S GET GOING!
SUPPORT YOUR CLUB WITH A GOOD
TURN OUT.



President's Log

I am very pleased to report that Bruce-KB9OW is now home from the hospital and at last check was doing very well. His spirits are high and he is getting around again while recovering from a recent heart attack

W9FL-Maury is home from the hospital and reportedly is doing quite well.

WB9HPV-Dave is now at home following back surgery.

Birdie Middleton, wife of W9VZ-Claude is in the hospital in Milwaukee having by-pass surgery.

New call heard around town belongs to Pete Neilson-KA9LQY.

Shari -73, WB9SFT

HAM OF THE YEAR NOMINATION BALLOT

NOMINEE _____ CALL _____

I feel that the above person is qualified and deserving to receive the "Ham of the Year" award because of the following reasons:

Signed _____

Call _____

The "Ham of the Year" ballot is very important as it helps the board of directors make the selection. This is not a popularity contest, but input is necessary from the membership.

Bruce -73, KB9OW

Editor's QRM

Hope you like what you have been seeing. My printer (Joe of Graphic Design) and I have recovered from the summer break with several ideas for the *HAM RAG*. We are very pleased with the look of double columns and hope the reading has been easier for you. We intend to surprise you with more of our ideas every now and then. The whole picture call for us to make what we feel is a good paper-BETTER. So if you see something you like, speak up. You would not want us to make you happy then switch back. A good example are those who liked my absence last month but did not say anything. Now it is too late.

RARA has several big events coming up. The first will be on October 16th (3rd FRIDAY) when our guest speaker will be Ed Metzger-W9PRN, who is the director of the ARRL's Central Division. The meeting place is room 222, classroom building 1, at Rock Valley College. Time of the meeting will be 7:00 p.m. The program should be very interesting and well worth your time. But, just in case you need special motivation, RARA is holding it's annual election.

Now I know some of you are taking a deep breath and saying to yourself. "Another election-who cares? The same old thing every year. My vote doesn't matter anyway."

Well, usually I would spend half a page giving those *DEEP THINKERS* my opinion. But why waste the ink. They don't listen, they just complain. I do hope most of you will exercise your privilege and **VOTE**. A list of candidates can be found in this *HAM RAG*, and additional people can be placed on the ballot the night of the election if you have the permission of the nominee.

On November 27th (DAY AFTER THANKS-GIVING) RARA will have another very special guest. Rev. Marshall Moran-9N1MM of Nepal has most generously accepted our invitation. We sure hope you can find the time for this meeting, but come early as a large crowd is expected. More details on this important meeting next month. A big well done to Bruce-KB9OW for making this possible.

Jim

-73, K19F

ROCKFORD AMATEUR RADIO ASSOCIATION, INC.

P.O. BOX 1744, ROCKFORD, ILLINOIS 61110

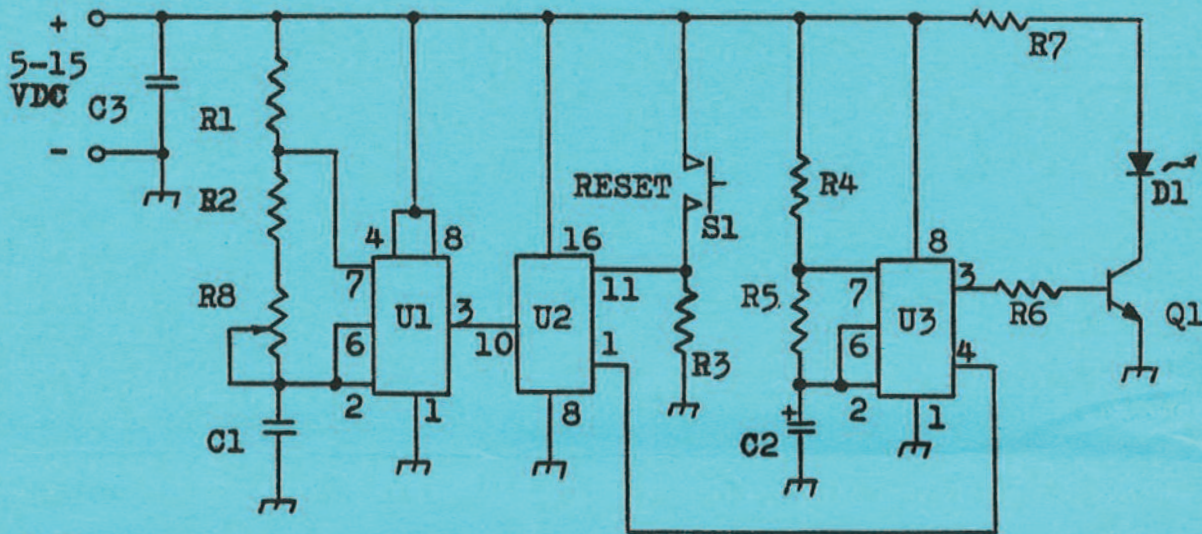
OFFICERS		1981		DIRECTORS	
President	Bruce Hamilton	KB9OW	963-6606	Gene Harlan	WB9MMM 398-2683
V. Pres	Frank Baker	WB9OGD	623-2008	Jo Ann Landis	KA9DNQ 633-0520
Sec'y	Zygmunt Podgorny	W9MOS	968-1244	Bob Davidson	WA9NTT 877-6274
Treasurer	Gene Melton	AK9N	654-0675	Gene Stankiewicz	KA9BOD 226-1806
HAM RAG Editor				Associate Editors	
	Jim Milhone	KI9F	633-9235	Jim Ambruso	WD9FVF 654-3620
Distribution Manager				Gene Melton	AK9N 654-0675
	Carol Holms	KI9G	633-3249	Dick Steinhauser	N9UN 397-6653
Circulation Manager				Gertrude Kindell	KB9PC 963-4050
	Jo Ann Landis	KA9DNQ	633-0520	Sharon Harlan	WB9SFT 398-2683
Artists				Gene Duncan	K9IKP 393-4751
	Jack Stuman	K9UWN	399-3890	Dennis Eksten	W9SS 877-6768
	Bob Davidson	WA9NTT	877-6274		
	Gertrude Kindell	KB9PC	963-4050	Henry Choke	???? ???????

Tech-Topics

R1	560K
R2, R4, R5	470K
R3, R6	10K
R7	220
R8	250K Trimpot
C1	.22uf Mylar
C2	1.0uf Electrolytic
C3	.01uf Ceramic

S1	SPST, Normally Open, Momentary Contact
D1	Light Emitting Diode, Red
U1, U3	555 or 7555 Timer
U2	4040 CMOS 12 Bit Counter
Q1	2N2222 (ECG 123A) Transistor

All resistors ¼ watt 10%, substitute metal film type for better stability. All capacitors 15 volt or greater.



ID Timer . . .

The circuit shown is an ID timer that blinks a light emitting diode after an adjustable interval of 8 to 11 minutes, thus warning the operator to identify. The timing cycle may be restarted at anytime with a reset switch. Power requirements are low and flexible so any available power supply, including batteries, may be used.

The circuit is based around U1, a 555 timer IC oscillating at about 3.5Hz. That signal is divided to the 10 minute interval in U2, a CMOS counter. This system avoids the problems associated with the high value capacitors and resistors required for a ten minute cycle. When the ten minute interval is over U3, another 555 timer IC, is enabled. This drives output transistor Q1, lighting the LED. The LED will continue to blink for the next ten minute period unless the circuit is reset by operating switch S1, which may be done at anytime in the cycle.

Construction of the timer is straight forward, with no special considerations necessary. The new CMOS 555 IC is recommended as it does not suffer from the switching transient of the normal 555 IC, which can

cause RF interference. The newer IC also required much less power. Any convenient enclosure may be used, including plastic ones--the circuit has operated in the open on a prototype board in my shack without problems. The power supply may be from 5 to 15 volts, and changing the voltage does not effect the timing cycle. A convenient supply might be a callculator DC battery charger. Batteries are acceptable if you can remember to turn the thing off. One way to handle the whole problem is to draw power from a low voltage supply in your radio, mounting the timer in a narrow enclosure on the bottom of the rig. Finally, since Q1 is capable of driving more current, an audio warning device, such as a "Sonalert" could be hooked up also, for those of us too busy talking to see an LED.

Estimated cost of the project is \$10 to \$15, with the enclosure and the power supply the main variables. Parts may be obtained locally at J & M Electronics, MidWest Associates, or Radio Shack. Feel free to contact the author for reference catalog numbers, etc.

Steve de KB9IW

CQ DX

Hello DX'ers. The W9DXCC Convention was really great, but I was surprised that not very many DX'ers from Rockford were there. So I hope next year Rockford's DX'ers will go in. Some of those that were there: Dana-W1CF, John-KV4KV, and Don Search-W3AZD of the league who gave a talk on DXCC.

W9 QSL Bureau was there giving a talk. This is a group of ham volunteers that handle our incoming QSL's. What amazed me was that they are handling around 40,000 cards per month for the 9 area. So be sure to keep a few envelopes on hand there. Send them to: **P.O. Box 519, Elmhurst, Illinois.**

10, 15, and 20 meters are doing real good. Ten has had some very good openings to JA land. Fifteen and twenty are open most of the time. Remember to keep checking 40 and 75 meters. Keep aware of those contests. They are an easy way to pick up new countries. (CQ WW DX October 24 & 25 and many others during the DX season.)

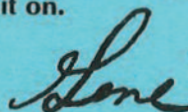
Frank-K9VMI suggests working the W7PHO DX Net. This is a very good DX net. They operate on 10, 15, and 20 meters. Bill, the net control station, is an old timer that has probably helped every DX'er at one time or another. His net is the list type. Be sure to listen carefully and check in. Some of the DX stations that he has working his net are: JT1, DU, HL, VS5, 4S7, and many others.

WORKED OR HEARD TO BE

CE0	Easter Island	14.322	0200
7Q7LW	Malawi Zomba	21.255	1700
A4XIY	Oman	21.310	0200
A7IXD	Quatar	21.295	0300
CE0X	San Felix	soon	listen
3XIZZ	Rep. of Guinea	14.255	
3B9AE/9	Rodriguez Island	14.205	0235
A7XM	Quatar	14.205	0210
YU7/HB0	Liechtenstein	14.203	0100
5V7HL	Togo	14.230	0440

5N0FCA	Nigeria	14.210	0520
JY3ZH	Jordan	14.225	0417
9N1MM	Nepal (Here in Nov.)		
		14.220	0210
VU2JNA	India	14.	0145
VU2BBJ	India	14.	0150
9X5LG	Rwanda	21.3	1756
XZ9A	NOT BURMA YET	21.29	1715
YC1BAG	Indonesia	21.31	1746
AP2MQ	Pakistan	21.	1820
UK1PGO	Franz Josef Land	14.	0340

This is just some of the DX heard during the last month. If you hear any rare DX please let me know and I will pass it on.



-73, K9IKP

R U T Y A R R U M O P S L L E W
 I Y E L N E H S R E T S A L P C
 K P A L L E B A S C H O T T M E
 S A V P O D G O R N Y C N H U L
 W H I E T S K C E M E R A T N U
 E H I R S C H N Q G E N T O T K
 Z M I N E R O C R S K L S T Z A
 C G A N G H H O U I Z L T R K M
 E N S L L S E A N D E R S O N O
 L I A I A G H G U N M Y O S N S
 K R M P Z N A R L A N C O S S O
 S A C Q I D R A W L S B B I H U
 H E K E E N N I M O C K S S A R
 A P T I R U E S P I R E S B O B
 F S T O R Y R N O T L I M A H M
 F R E D Z C I W E I K N A T S A

EX/KA9FYW	EX/WB9VLM	WD9DBB	EX/WD9EKO
WD9FVI	WD9FVF	WA9FFL	KA9CDT
N9UN	KA9INB	KA9BOD	WD9IFD
KA9BQR	K9AMJ	KB9KH	W9MOS
KA9HHT	N9AXD	KB9IW	K9KZS
N9AYT	WB9SFT	N9AUZ	KB9PW
WD9HDU	W9GKI	K9CUQ	WB2HXV
W9WOQ	KA9ESH	W9FL	K9ORU
AK9N	KA9DNQ	WB9HHH	WD9DBC
KB9LN	WD9FVH	KA9BTA	K9VMI
WB9PCA		K9ZWZ	WA9HLJ

USE YELLOW 1980 MEMBERSHIP DIRECTORY

-73, KB9PC

CQ Contest

- Oct. 10-11 **ARRL CD PARTY (Closed)**
21/28 MHz CONTEST
VK/ZL OCEANIA DX CW
GARTG SSTV CONTEST
HIGH SPEED CODE CONTEST
- Oct. 13 **W1AW QUALIFYING RUN**
- Oct. 17-18 **JAMBOREE ON THE AIR**
MINNESOTA QSO PARTY
PENNSYLVANIA QSO PARTY
AC-DC CONTEST
WA-Y2 CONTEST
QRP INTERNATIONAL QSO
- Oct. 21-22 **YL QSO PARTY CW**
- Oct. 24-25 ***CQ WORLD WIDE DX SSB**
- Oct. 25 **W1AW QUALIFYING RUN**
- Nov. 4 **WEST COAST QUALIFYING**
- Nov. 4-5 **YL QSO PARTY SSB**
- Nov. 7-8 ***ARRL SWEEPSTAKES CW**
OK-DX CONTEST
IPA CONTEST
QSL HUNTERS CW
DARC CORONA RTTY
- Nov. 11 **W1AW QUALIFYING RUN**
- Nov. . . . 14-15 **NORTH CAROLINA QSO**
EUROPEAN DX TEST RTTY
- Nov. 21 **W1AW QUALIFYING RUN**
- Nov. . . . 21-22 ***ARRL SWEEPSTAKES SSB**
VK QRP CW CONTEST
- Nov. . . . 28-29 ***CQ WORLD WIDE DX CW**

***SHEETS AT NEXT MEETING OR FROM KI9F.**



The contest season is pretty well rolling by now, and I am sure that everyone has already jumped into one with both feet. By the time this issue is out, our first annual *RARA WAS COMPETITION* will be well under way. There might even be someone who has worked all 50 already. Send in the results no matter how many; they could be enough to win. Complete rules appeared in last month's column.

Next month, November, will be the annual *SWEEPSTAKES* contest sponsored by the ARRL. It runs two weekends, CW on the 7th and 8th and SSB on the 21st and 22nd. In addition to the individual competition, there is a competition for ARRL affiliated clubs. If you want your score to count for RARA, there is a spot on the summary sheet to so indicate. Your name and call have to be sent in on a list of participants, so be sure to let me know if you plan to take part. Complete rules are in the October QST, page 80. The club usually has a pretty good turn out for SS. I understand that there are a few rather lucrative side bets around town for this one.

The results of the 1981 *ARRL INTERNATIONAL DX CONTEST* are in the October issue of QST. While getting cross-eyed reading the scores, I found a fair number of local calls. Jack-WD9DBC, did a fine job in finishing toward the top of the all band category in Illinois, **BOTH** CW and SSB. Nice going Jack. The other entries were Dick-N9UN, on 10 meter CW and Ed-KA9IMZ and Jennifer, KA9INB, both on 15 meter CW. FB all around.

The past few years RARA has sponsored a plaque for **single op QRP phone** for this contest. This year's winner was Gene Walsh-N2AA, of Edison, NJ. He made 576 QSO's in 91 countries on 10 meters using 5 watts and 3 elements at 20 feet. Not bad at all.

Hope to hear you on the bands sometime this month chasing those rare states. Dit Dit.

-73, AK9N

Gene

Blackhawk Valley

We started getting interested in starting a chapter when several of us met on 28.525 for a nightly rag chew. With the growing interest in 10 meters, I contacted Richard Levy-WB2MAN, who at this time was the Net Coordinator of 10-X International, and requested a local Rockford Chapter. A grant was made and the chapter was named *BLACKHAWK VALLEY*. An election then named the following:

KB9YX	Steve	Chapter Head
KI9F	Jim	Vice President
WD9FVF	Jim	Certificate Manager
N9UN	Dick	Director
KG5E	Darrell	Director

The officer who had to do the most work was JimWD9FVF, who put together our present certificate which we are very proud of. He deserves a lot of thanks for all of the time he put in to get our chapter rolling.

We had our first nen on the air March 13, 1979 on a frequency of 28.925. As you can see by our number of members, we have done a good job of promoting the 10 meter band. We have members in 41 states and many foreign countries.

We would like to invite anyone who is presently not a 10-Xer and/or a member of the *BLACKHAWKS* to join up with us on 28.925 at 9:00 local time every Wednesday night. We have 50 more openings for chapter members. We need the support of the new ham as well as the old timer.

STATES WITHOUT BLACKHAWKS:

1. Alaska
2. Iowa
3. Kansas
4. Nebraska
5. New Hampshire
6. North Dakota
7. South Dakota
8. Vermont
9. West Virginia

Sharon-WB9SFT (our current certificate manager) mailed certificate number 341 on

September 14, 1981. This gives us a total membership of 290.

I hope to hear you all on 10 meters soon.

STEVE

-73, KB9YX

1. YB9YX	Steve	26. WD9JEH	Art
2. KB9YH	Jerry	27. WB9JWT	Roger
3. KB9UR	Bill	28. N9AXD	Bob
4. KG5E	Darrell	29. KC9CL	Leland
5. K9GH	George	30. KB9PC	Gertrude
6. AK9N	Gene	31. K9RNR	Paul
7. WD9JDR	Jurgen	32. KB9LN	Bob
8. WB9LEF	Duane	33. KB9PW	Larry
9. KB9WD	Dale	34. KB9KH	Frank
10. DK3XJ	Hanna	35. WD9HAK	Emil
11. N9UN	Dick	36. WA9NTT	Bob
12. K9IKP	Gene	37. WD9APQ	Ray
13. KI9F	Jim	38. KB9IW	Steve
14. WD9FVF	Jim	39. W9MOS	Ziggy
15. WB9TFX	Henry	40. N9CCC	Dick
16. WA9HLJ	Gerry	41. N9AWZ	Don
17. WB9ILH	Ray	42. WA9FFL	Paul
18. WB9HHH	Ralph	43. KA9BOD	Gene
19. W9HRF	Jim	44. WB9DFK	Tom
20. W9VTL	Ray	45. WB8HVW	John
21. K9PDZ	Andy	46. N9CCH	Chuck
22. WD9HOW	Rich	47. KI9G	Carol
23. KB9OW	Bruce	48. KC9AP	Jim
24. WB9SFT	Sharon	49. KA9GXE	John
25. WB9MMM	Gene	50. W9AXD	RARA

REMEMBER! On October 25, EARS will be holding its election of officers plus the approval of the club's new by-laws. The place is not set up at this time but will be on all local nets the week of the vote. Talk-in will be on .01-.61.

Up Close & Personal

Over the past years, R.A.R.A. has grown tremendously. With so many new members I thought it would be a good idea to give a little history on the club. Much of the information was presented during a club meeting some time ago.

As far back as anyone could remember (about 1917) there had been various wireless or radio clubs in and around Rockford, These clubs had their ups and downs in membership as well as activity. Like many small clubs they all seemed to thrive for a while, possibly a year or two, then fall by the wayside. In those days a Ham just seemed to be an individualist.

With the advent of World War II, all Hams were requested by Uncle Sam to stop on the air operation for the duration, thus leaving the airways open to commercial and military use only. However — during the war there came the development of a service called “*Civillian Defense*” which required radio communication. Once again Hams were organized. The local group, W.E.R.S., (War Emergency Radio Service) was licensed by the F.C.C. and restricted to operation on 2½ meters. Director of the group was Bob Brand-W9HOA.

After the war, operations on 2½, 5, 10, 20, 40, and 80 meters grew very quickly as did interest in the local Ham Fraternity. Bob was appointed by the Central Division of the A.R.R.L. as the director of Winnebago County. He really did a bang up job in promoting interest locally.

Many club meetings were held in several different locations. Then again, through W9HOA's wide range of acquaintances the group was invited to meet in the Red Cross Chapter House on North Church Street.

Here was the real start of R.A.R.A. A committee was formed to draw up by-laws. on May 10, 1951 these by-laws were adopted and the name *Rockford Amateur Radio Association (RARA)* was used. Since then many club members have come and gone. A list of club Presidents shows only some of the people who

assumed the responsibility for the club's existence.

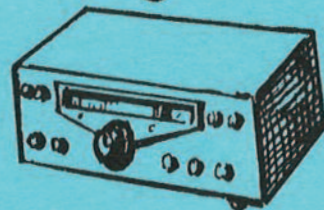
With the October meeting we are asked to vote for next year's club leaders. Before voting, think back to Bob Brand and all the others who gave all they could to have a club with a meaning, not just a name.

My thanks to Sharon, WB9SFT, for supplying the club history notebook to obtain the needed information.

- 1961 Jack Burg, W9EDA
- 1962 Chuck Patterson, K9RXS
- 1963 Connie Hilpert, K9DJG
- 1964 ? ? ? ?
- 1965 ? ? ? ?
- 1966 ? ? ? ?
- 1967 Ernie Storer, W9MAP
- 1968 Bob Schmoock, K9KCX
- 1969 Larry Carlstrom, K9LUX
- 1970 Maury Nelson, W9FL
- 1971 Dave Barquist, K9PAK
- 1972 Gunny Ohlson, K9WTS
- 1973 Mike Soohrada, WB9IOG
- 1974 Gene Harlan, WB9MMM
- 1975 John Wacker, WD9SGF
- 1976 Jim Clark, W9BAV
- 1977 Carl Cacciatore, WB9PBR
- 1978 Carl Cacciatore, WB9PBR
- 1979 Sharon Harlan, WB9SFT
- 1970 Gene Melton, AK9N
- 1981 Bruce Hamilton, KB9OW
- 1982 ? ? ? ?

Jim

-73, WD9FVE



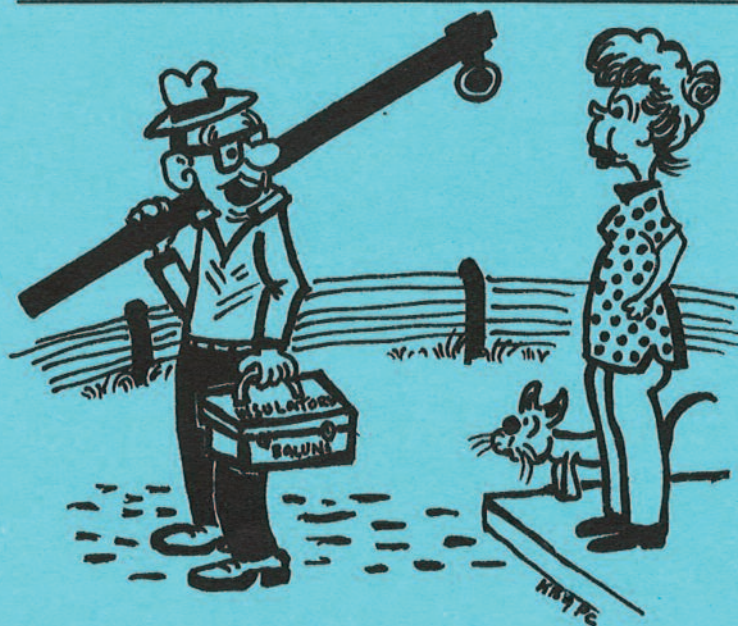
YL News

Sorry! but no "Baby Ham" this month. Instead I want to make known the list of club members and the officers they have chosen to seek in the coming election. Please give them all your support and help. Most of all, **"PLEASE VOTE"** at the meeting October 16, for the ones you feel will do the best job for all of us and the club.

Last month's "Baby Ham" almost had everybody stumped, only one correct guess. It was Steve PashKB9YX. Again, I hope to see you October 16.

Steve Pash -73, KB9PC

President	Frank Hirsch Chuck Henley	KB9KH
Vice President	Paul Plasters Jim Ambruoso Chuck Derwent	WA9FFL WD9FVF K9SAN
Secretary	Don Rastede Maurice Bolye	N9AWZ N9CCE
Treasurer	Gene Melton Dale Mather	AK9N KC9BN
Directors	Jim Henry Larry Carlstrom Chuck Henley Dean Livingston	KA9CDJ K9LUX N9CCH WD9FLO



"CAN I HELP IT,
THAT MY MOTHER'S CLOTHLINE
NEEDS TIGHTENING AGAIN?"

KB9PC

Remember

ROCKFORD AMATEURS

11, DECEMBER 1950

W9W5G	Arthur V. Anderson, 2032 Colorado Ave.			G. S. Lodin, 1241 Sixth Ave.	
W9HOA	Arthur B. Brand, 1211 Harlem Blvd.	BOB	W9ATR	Kenneth E. Martinson, 1430 Latham Pl.	
W9HUR	James A Brock, Sr. , 604 Francis Ave.		W9RBT	Claude P. Middleton, 1126 19th St.	CLAUDE
W9COX	Clark Bullen, 205 Hinckley Ave.	CLARK		Anthony J. Misunas, 319 Grand Ave.	
W9UIJ	Wm. C. Canterbury, 1432 Fourth Ave.	BILL	W9YRA	Ernest C. Mogolis, 533 Michigan Ave.	ERNIE
W9TET	Carol Carlson, 8107 N. Second St.	CAROL	W9JLN	Charles Mosher, 1448 Andrews St.	
W9FFQ	Milton R. Carlson, 407 St. Clair St.	MILT	W9BRY	Maurice H. Nelson, 301 Oak Knolls	MAURY
W9AUE	Thos. W. Claridge, 1429 North Ave.	WES	W9PGQ	Fred W. Newburgh, 408 Oak Knolls Ave.	
W9ESD	Robert Coats, 414 Ninth St.	BOB	W9YNK	Howard W. Nurse, 620 Marine	
W9JFI	Russell Cockrell, 1422 Fifth Ave.		W9LSE	Paul W. Patton, 1515 Grace St.	
W9ORP	Harry Doan, 2025 Bruner St.	HARRY	W9MOS	Zygmunt A. Podgorny, 171 Broadway	
W9GWJ	Vernon S. Dunklee, 1019 Fulton Ave.		W9BTS	S. G. Ransome, 2405 E. Sste St.	
W9VLN	Fred Estep, 818 Lapp Ct.	FRED	W9HP	Frank L. Riggs, 5828 East Drive 7-8657	FRANK
W9CMU	Wm. A. Fleming, 7214 N. Second St.	AL	W9JAQ	Domenic Ripani, 209 Harlem Road	
W9OVY	Eric Frank, 619 St. Louis Ave.		W9UUJ	Ralph E. Rungren, 823 13th St.	
W9SGR	Franklin A. Glassow, 1037 Woodlawn		W9EDJ	Harold R. Scharhag, 5446 Dale Ave.	
W9YPE	Paul Haggerty, 618½ N. Horsman St.	PAUL	W9KDK	George E. Stinson, 221 N. Longwood	GEORGE
W9AGV	Everett Hallquist, 304 S. Highland Ave.	EV	W9YVL	Clarence L. Stoltz, 404 Hinckley Ave.	
W9ERU	Eugene Hubbell, 2511 Burrmont Road	GENE	W9HZR	R. W. Ston, 1408 Grant Ave. 4-7773	STONEY
W9TBP	Aubrey H. Jenkins, Rte. #5, Quentin Rd.		W9MAP	Ernest H. Storer, 2031 Melrose St.	ERNIE
W9HGQ	Arthur A Johnson, 1506 School St.	ART	W9CZB	Fay C. Sweeney, 409 S. Horace Ave.	FAY
W9NSS	Leonard O. Johnson, 718 Clifford		W9VTL	Ray S. Swenson, 1227 Arthur Ave.	
W9BNO	Paul E Johnson, 229 N. London Ave.	BENO	W9EKT	Theodore J. Tveit, 1428 Mulberry St	
W9PVA	A. A. Kopp, 4001 16th Ave.	BUD	W9JPB	M. Eugene Walker, 1213 Ask Terrace	
	Eugene M. Kowalewski, 1234 Seminary		W9GKI	Reginald K. Wells, 201 Forest Ave.	REG
W9YRI	Laurence V. Lang, 511 Sargent Ave.	LARRY	W9TJW	Carl E. White, 923 N. Sunset	CARL
W9UAU	Dr, Robert M. Lewis, 2120 Douglas	BOB	W9JK	Joseph A. Yeazel, 808 Ramona Terrace	JOE
W9GTR	Wm. C. Lindberg, 1107 Oakley Ave.				
W9EZQ	Vernon E. Lloyd, 2207 Eastgate Pkwy.	VERN			

Thanks to W9LSE

Potpourri



Dear Gabby

From reading your column for years I know how often you have found answers for people who didn't know which way to turn, and I hope you can help me with a terrible personal problem. I don't mean give me one, either. Sometimes you like to smart off I've noticed. Anyway, I was ashamed to ask about this before but now it's the style to let it all hang out. We all have troubles. Besides, it's this dummy I'm married to that needs the help.

My husband, so-called is a ham radio operator. At least that's what he says he is, and how would I know? I don't suppose you ever heard of them but I'll give you an idea of what it's like living with one.

It's only exaggerating a little bit to say our marriage has consisted of brief encounters at the dinner table. Since we were married twelve years ago John has spend eleven plus talking to little boxes in the basement. Sometimes this goes on all night and then he says it was a contest. What kind of contest do you have alone in a basement? He gets his own breakfast before I get up, and after he comes back from work he doesn't come upstairs until dinnertime. His end of the conversation at the table is a thrilling hello like you give someone you aren't sure you know. In minutes he's off again, carrying his dessert and coffee. I remember trying candles and a centerpiece of roses — the response was a fit of sneezing and a prompt check of the lighting fuses. When I invited my brother and his wife to dinner John's routine didn't change except he left a fifty cent tip on the table. I guess he did notice we weren't alone and thought he must be in a restaurant.

For some reason the roof on our house is tied with wires to a lot of trees. When I asked about this John said it was some kind of earthquake protection, but he told the neighbors it was to

keep lightning from striking anywhere on the block. On a pole in the backyard he put up a TV antenna so big you wouldn't believe it, saying it would give us a better picture, and now Lawrence Welk comes in on the bias and all wiggly.

Have you heard of lightning rods on cars? Ours has two of them — a little one on the roof and a big one on the rear bumper. More of those little boxes under the dash and cables everywhere. I've snagged my hose and caught my heels so many times I sit in back now. While he's driving John constantly punches buttons and talks into a funny telephone. He never uses the telephone at home and I've never heard of a car being hit by lightning. What's going on?

I asked my mother for advice and that was a mistake. I remember just what she said: "Oh, sure. We had some weirdo neighbors like that. They're called Citizen Band operators. Forget it, honey. It's kid stuff they grow out of." That night I asked John if he was one and just never wanted to tell me. He only gritted his teeth and went downstairs to his wires and boxes. He even forgot to take his coffee. In a few minutes he was back gritting his teeth at me again. This time they were in his hand. Then he flounced out, slamming the door, and spent the night down there. Having another contest, I suppose. Thanks a lot, MAMA.

A week ago a friend asked if I would have her doctor talk to John and I agreed. When he arrived last night we could hear the usual racket from the basement and the doctor hurried down there before I could explain all this funny business to him. In minutes he popped back up, shouted "Ten is wide open!" and laid a nice patch of rubber getting out of our driveway. Dear Gabby, can you help me?

Exasperated.

Dear Exasperated:

What you told me indicates that your husband does indeed have a problem. Ten hasn't been wide open for a long, long time and I think you'd be smart to try a different doctor.

73, Gabby

Reprinted with permission of WAYNE GREEN, W2NSD and 73 Magazine. First appearing in the "Ham Rag" in January, 1976.

Ham Mart

FOR SALE

Yaesu FT 101F with speaker phone patch.
Frequency counter. Manuals Mint Condition.
\$800. Call Dale-KB9WD at 633-0520.

FOR SALE

FOR SALE

Communicator 3, Six meter transceiver. Make an offer by calling Chuck-N9CCH at 633-6524.

FOR SALE

**THIS SPACE
FOR SALE,
FREE!!**

**ROCKFORD AMATEUR RADIO ASSOCIATION
P.O. BOX 1744 ROCKFORD, ILLINOIS 61110
ADDRESS CORRECTION REQUESTED**

BULK RATE
U. S. POSTAGE

PAID

ROCKFORD, IL
Permit No. 230

NETS;

28.7 Mhz. Monday 9:00 P.M.

50.4 Mhz. Nightly 9:00 P.M.

146.01/.61 Mhz. Monday 8:00 P.M.

BLACK HAWK VALLEY

TEN TEN INTERNATIONAL

28.925 Mhz. Wednesday 9:00 P.M.

21.130 Mhz. Thursday 9:00 P.M.