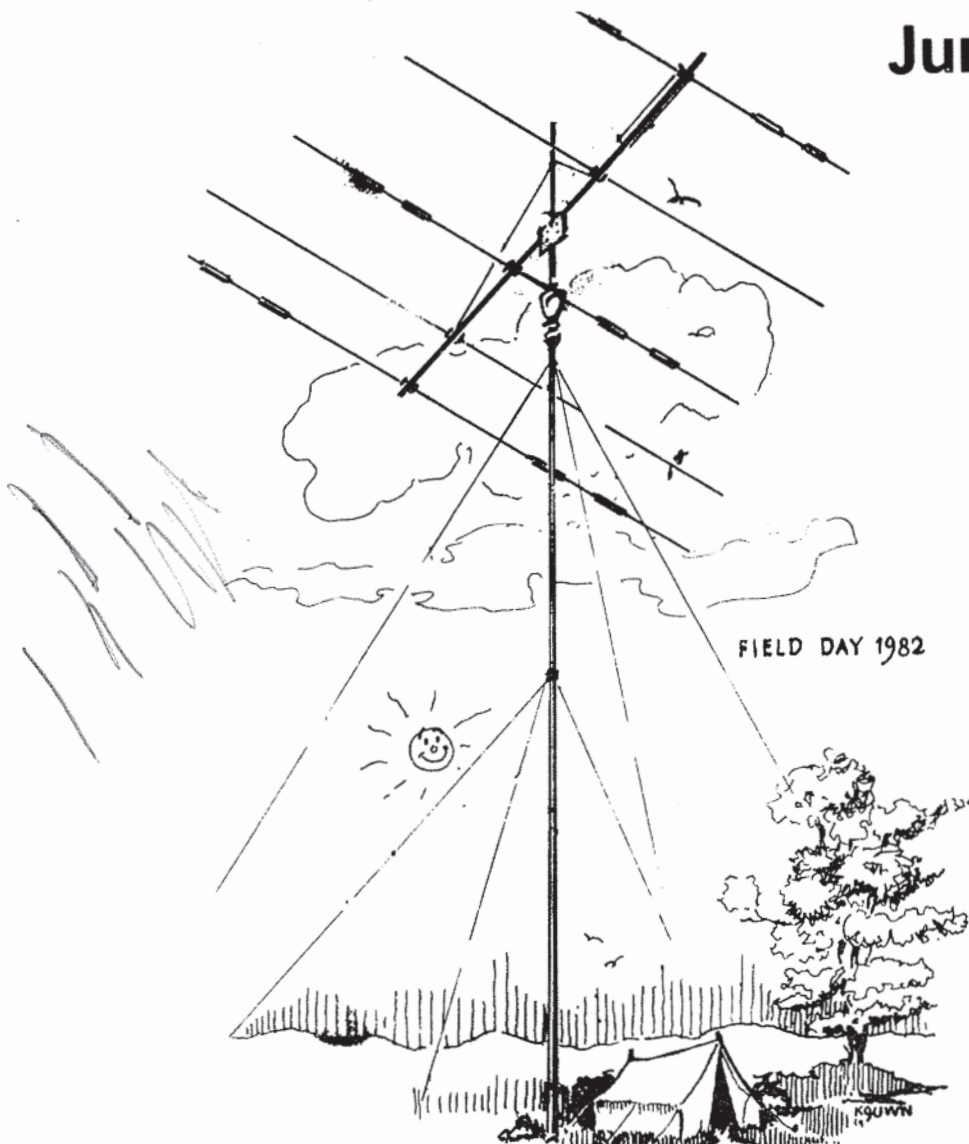


# Ham Rag

Rockford Amateur Radio Association

June, 1982



" JA5QP de W9RP/9 1 WATT HR OM ON LANTERN BATT  
UR 599 HR 73 TU de W9RP/9-VA / "

# President's Log

## Dear Members:

The first half of our active club year is just about over. It comes to an end with "Field Day", June 26 and 27. One never knows how many will eventually participate but I do invite everyone to either actively lend a hand or at least stop by and criticize, praise or have a cup of coffee, and renew old friendships. HI! it's also a good time to meet, eyeball to eyeball all those voices you have been QSO'ing with on 2 meters. If there is any way you can help please contact Russ - WD9FVI or Don N9AUZ, our fearless Field Day Leaders for "82".

There are teams who will probably need operators and help at all hours of the day and night. Sign up sheets will be available at the June meeting.

The other major news item is about the Ham Fest. Due to unexpected increases in work load and family priorities, my Ham Fest chairman has had to resign. The officers and board have decided to cancel the Ham Fest originally set for Labor Day Weekend. We thought it was too late in the year to find another chairman and place the burden on him or her. We discussed several activities and agreed that this gave the club the chance to move the date from the last major holiday weekend to another time of the year. Since it had been proposed in the past to move the date, we decided to propose a Ham Fest with an early spring date. Hopefully this will give us the winter months, when there is probably more time for many of us, to work on such a major undertaking. I apologize to those who were looking forward to this event this fall.

The coax is in and may be picked up at two locations. The northern supply is on Otto Road at Gene-AK9N's QTH, while on the south side you can pick it up at my QTH off Bell School Road, south of State Street. Bring cash or check. It will also be available at Field Day. The cost to members is 18¢ per foot. The club paid 15¢ per foot and the profit will defray some of the Field Day expenses.

So far I have not heard of any calls for our services during the Fourth of July activities as we have provided in

the past. I can only suggest you keep tuned to the night nets for requests of help if it is needed.

Also, a word of warning. Be careful in mentioning vacation plans over the air. Many persons make use of scanners and other radio equipment to listen in our conversations. This makes you absent from your QTH public knowledge and inviting to those who would like to relieve you of your possessions. Tell us about your trip when you get back. This also applies to your ham friends who know of your absence. Don't forget to disconnect and ground your equipment before you leave.

The only other news is the Club Dinner on August 22 at the Hononegah Forest Preserve, Bird Grove Shelter. Cost will be \$5.00 per family. Bring table setting and a dish to pass.

I wish everyone a good summer. Hope to see you at Field Day or the picnic. 'Till September - Happy sunburns.

**EI Presidente  
Frank KB9KN**

# Editor's QRM

Strike up the band! Hold a parade! After months of planning the Field Day Cartoon Special is here. Besides the cover, you will find four extra pages this issue — ALL CARTOONS!! These masterpieces have all appeared in the HAM RAG sometime during the last twenty years and were dug out of the archives and arranged by Sharon-SFT. (A big thanks for a job well done.) You will also find a report by Russ and Don on their projected TVI of the far south side on the last weekend of June.

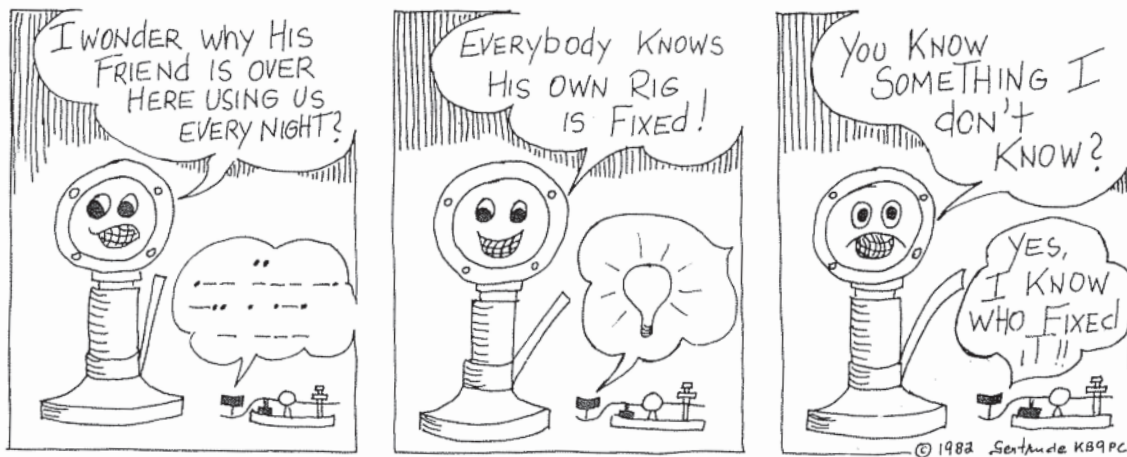
I was sorry to find it necessary to drop pages from last month's HAM RAG. The lack of articles left no other choice. I was sorrier still for Gene (of contest fame?) as he got bounced. Worst of all was that no one complained. I guess he wasn't missed. The number of pages we wish to print must be divisible by four and last month we had ten. By the way, no one asked about the

Editors QRM. OUCH!!!

RARA's OVER THE HILL DX CONTEST is in full swing, I hope. The response to the HAM RAG'S last contest was far from overwhelming but hopefully our *new liberal rules* will spark some interest. (Rules are in the April Ham Rag.) Remember there is a Field Day bonus.

With this issue the staff of the HAM RAG takes a two month vacation. May your summer be pleasant and rewarding, filled with pile-ups conquered and incoming QSL's a plenty. Watch out for lightening and the staff shutterbug if you don't want to be in the September's issue.

-73, JIM, KI9F



ROCKFORD AMATEUR RADIO ASSOCIATION, INC.  
P.O. BOX 1744, ROCKFORD, ILLINOIS 61110

OFFICERS			1982	DIRECTORS		
President	Frank Hirsch	KB9KH	397-6966	Bruce Hamilton	KB9OW	963-6606
V. Pres.	James Ambruso	WD9FVF	654-3620	Frank Baker	WB9OGD	623-2008
Sec'y	Maurice Bolte	N9CCE	877-5439	Zygmunt Podgorny	W9MOS	968-1244
Treasurer	Dale Mather	KC9BN	399-2002	Gene Melton	AK9N	654-0675
<b>HAM RAG Editor</b>				<b>Associate Editors</b>		
	Jim Milhone	KI9F	633-9235	Jim Ambruso	WD9FVF	654-3620
<b>Distribution Manager ★ Photos &amp; Layouts</b>				Gene Melton	AK9N	654-0675
	Carol Holmes	KI9G	633-3249	Dick Steinhauer	N9UN	397-6653
<b>Circulation Manager</b>				Gertrude Kindell	KB9PC	963-4050
	Dale Landis	KB9WD	633-0520	Gene Harlan	WB9MMM	398-2683
<b>Artists</b>				Gene Duncan	K9IKP	393-4751
	Jack Stuman	K9UWN	399-3890	Dennis Eksten	W9SS	877-6768
	Bob Davidson	WA9NTT	877-6274	I. M. Lippy	?????	??????
	Gertrude Kindell	KB9PC	963-4050	Henry Choke	?????	??????



# CQ Contest

It seems that the most difficult part of this column is to find something sharp and witty with which to attract your, the reader's attention each and every month. That way you will be tempted to perhaps read the remainder of what I write. There are those who claim they have been waiting since January of two years ago for something sharp and witty to appear above my signature. According to our esteemed editor, the hardest part of this page is getting me to write something in the first place. I've got him now though. He did not print what I wrote last month, so about half of this has been recycled.

The FCC Special was somewhat of a disappointment in that only three logs were received. The results are as follows:

<u>CALL</u>	<u>QSO</u>	<u>PX</u>	<u>STATES</u>	<u>POINTS</u>
K19G	91	52	24	113,568
K9LJN	603	114	51	3,505,842
KA9LTR	237	92	47	1,024,788

Each entry finished first in his/her class so all three will be receiving an award at the club picnic in August. Gary is

still receiving awards every day via the postal service from his NR contacts. Do not forget about the DX contest this month. Unless there is a healthy increase in participation, there will be no more.

The results of last November's ARRL Sweepstakes were in the May issue of QST. Digging through all of that fine print showed AK9N, K9GH, K9LJN (Wisc.) and WD9DBC on phone with WD9DBC and K9LJN (Dairyland again) slapping around the paddles. It rather looks as if Jack and Gary are displaying some hidden talents.

Looking into the crystal ball for June and the rest of the summer, we see that a few things are going on. The All Asian DX Contest SSB will take place on the 19 and 20 of June. This one will be an opportunity for us to fill in some of those empty spots in the DXCC map. If yours looks like mine there is not too much that has been worked between 50 and 150 degrees west of Greenwich. Call CQ AA and exchange signal report and a two digit number denoting age (YL's can use 00 which takes all the fun out of it!) That same weekend is the Summer SMIRK Party for the 6 meter devotees.

**MEETING — June 11, 1982 - 7:00 P.M • Rock Valley College • Room 222 - Building #1.**

\*\*\*\*\*  
**FIELD DAY IS JUNE 26 & 27**  
\*\*\*\*\*

The IARU Radiosport Championship will take place the weekend of July 10 & 11. CW or SSB or both! In this one the exchange is a signal report and the ITU zone, which for us is number 8. On the ITU map there are 90 zones on the planet. Do not get confused with the 40 zone map the CQ magazine uses for some of its contests. They call the DX zones, and ours is number 4. The map with 40 is the one to use when you are chasing the Worked All Zone (WAZ) award. Complete rules were in the May issue of QST (page 82.)

The weekend of July 17 and 18 is the 10-10 Summer QSO Party, SSB version. Dust of the ten meter position of the bandswitch and chase those goofy numbers. QSL your \$242.56.

That appears to be all there is for this time around. May you all have a safe and happy summer. I will be looking for you on the bands or at some of RARA's summer functions.

Ciao (eats?) and dit dit.

# CQ DX

DX IS . . .

DX IS amateur radio. Ragchewing on 2 meters and on 75 meters may be enjoyable and meaningful, but DXing is what amateur radio is all about. The thrill and excitement of chatting with your fellow man on the other side of the world enhances the mutual understanding of one another in a day and age fraught with troubles and conflicts.

DXers go through stages like those in other endeavors. .

First there is the awe in the possibility of being able to communicate world wide. Then there is the excitement of a DX contact contact anywhere. Soon contacts with Europe and south of the border become old hat with the semi-rare taking precedence. Ultimately, the very rare become the primary goal of many DXers. The DX award chasing can also be all consuming. Unfortunately, getting to know another land and people by regular lengthy communication is something that some DXers never experience. Visiting or being visited by a DXer is an unforgettable eyeball QSO few experience.

## QSL TIPS

Requesting a QSL card can be an exasperating, futile trauma. Just sending a QSL via the bureau to a rare station is generally a waste of time. Getting another QSL from Illinois is probably not only of no value to him but actually a nuisance. If you really really want a QSL from a rare station that has no QSL manager, by all means write him a personal letter with your QSL. Tell him why getting his QSL card is so important to you. Let him know a little about your station and yourself. Don't just automatically include a "green stamp." Try an ARRL decal or something else special, mint stamps from his own country, or U.S. mint stamps if he is working on awards himself (so he can get QSLs from U.S. QSL managers for DX stations elsewhere in the world). Also enclose a self-addressed, European style (square) envelope, not a U.S. □6 or □10. If you are having trouble getting a QSL from a Communist or other country unfriendly to the U.S., try enlisting the aid of a ham in a "neutral" country. They can work wonders with the censors that may impede mail with the U.S. stamps on the

envelope or U.S. bound, while hardly questioning "third world" mail.

## DX Tips

Rumor is that OH2BH, Martim will be going to operate in ZA, Albania in August and BY, China in September.

Operation from VK0, Heard Island, is again being targeted, this time for last winter.

FB8WG, Crozet, continues to allude most local DXers, but W9SS and K9IKP managed to work him on 20 meters long path on May 16. Anyone speak French? (Calling a DX station in his native language is probably worth about 10 db!)

BY1PK, China continues to show on 15m and 20m CW.

Look for good early morning (6 am) opening to the Pacific this time of year on 20m.

Contests to pick up a few new ones in certain parts of the globe include All Asian Phone, June 19-20.

SM0AGD, Eric is going on a two year world tour on a 50 foot yacht. Operations are planned from ZK1, ZM7, T31, KH1, T30, FW8, and A35 this year.

Possible deletions to the ARRL DX country list includes 8Z4, KH0 (Baja Nuevo), and KS4 (Serrana Bank.) If operations ever take place from North Korea, there would be a net increase of one resulting.

"Good Ones" showing up on 20m recently included, VK9ZR, Mellish Reef; AP2, Pakistan; HF5, Thailand; & FR 0FLO, MC for FB8WG.

Remember, building up your DXCC total amounts to two major things: longevity & perseverance! Good luck and good DX!

de, W9SS  
**DENNIS**

# Field Day

Field Day is almost upon us and with it comes thoughts of sleepless nights, swatting mosquitos, generators polluting the air with loud noise and fumes, and of course the fun of contesting. Somethings are similar to last year's event (why change a good thing) but some new twists have been added this year with hopes of improving our score, standing and fun.

First the things that have remained the same include the site. As in the past several years, we will be at the ski jump. In case you have forgotten or just don't know, the ski jump is located on Rotary Road south of New Milford and west of US 51. Signs will lead you there. The club will provide power in the form of several generators. There will also be 1000 feet of coax available on a first come first served basis. A trailer will be available in case the heavens open up.

The major difference will be in the organization. This year we have decided to try the team concept. The premise behind this concept is that each team will be responsible for things that they need to function, such as: transceivers, antennas, tower guys, and shelter. Each team is responsible for its own set up and tear down as well as finding and scheduling of people to man the rigs. Each team has a captain who is responsible for making sure that their team is fully staffed, manned and ready to go and mount an assault on the air-waves on June 26. The club will attempt to fill the gaps, but it will be up to the teams to identify these needs and who will fill them. This concept has been used successfully by other clubs, and we hope we can be as successful if not more so.

In order to recognize the team captains for their hard work and to let you know who to contact should you want to participate; a list of them with their band mode assignments follows:

80-10	CW	Emil Gerardi-WD9HAK
40	CW	Gene Melton-AK9N
40-15	SSB	Bruce Hamilton-KB9OW
20	CW	Dave Larson-WB9HPV
6	SSB	Moe Bolte-N9CCE

Again if you wish to participate in any capacity contact the team captain responsible for the mode and band you want to work. Warm bodies to dupe, relieve tired fists/voices, and help in many other ways I'm sure are always welcome. No matter what grade ticket you hold, your help will be appreciated. Last year 80 meters was run by a novice for much of the short time it was on the air.

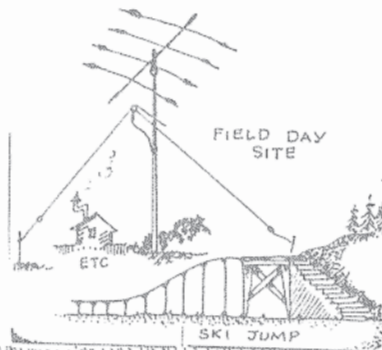
Hopefully we have given you an idea of what to expect and raised your curiosity enough to want to check out your clubs effort for '82.

**Hope to see you there!**

**Don-N9AWZ  
Russ-WD9FVI**





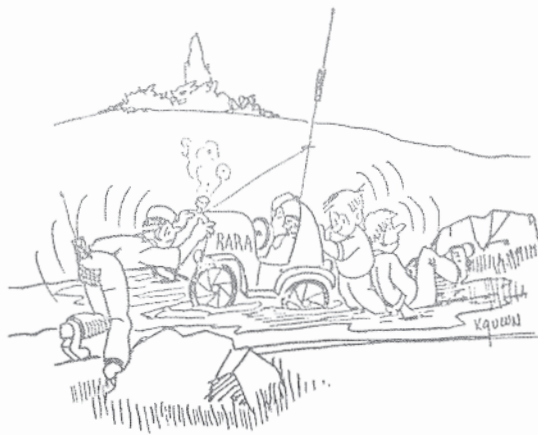


Field Day

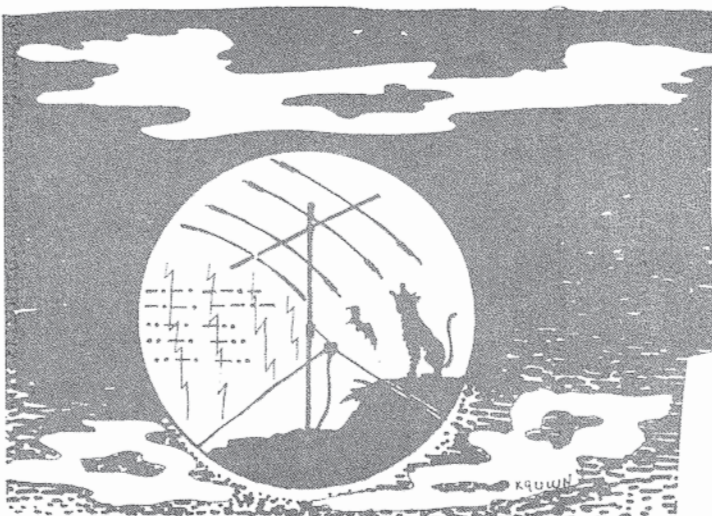
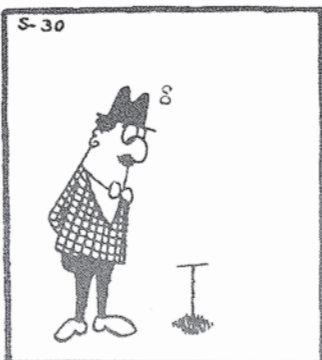




SUMPUN HE CALLS RADDYOH!  
SEZ HE'S COMMUNICATING.



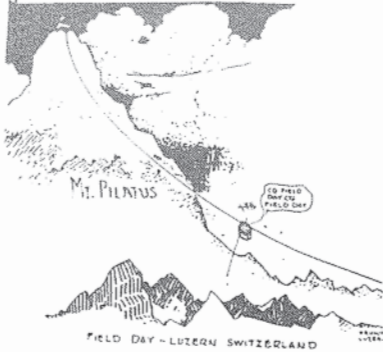
"IN THE STILLNESS OF THE NIGHT"



ONE NIGHT EACH YEAR THERE ARE STRANGE SHADOWS ON THE MOON, ACCOMPANIED BY STRANGER SOUNDS IN THE DARK, WHERE CREATURES DWELL !!!



"It was bound to happen some day."



# AMATEUR RADIO PUZZLE

By JOHN A. COMSTOCK

Do you like ham radio? Then here is an anagram puzzle on your favorite hobby. This puzzle contains many of the words, terms and abbreviations that

you use in QSO's every day. See if you can fill in all the empty spaces correctly.

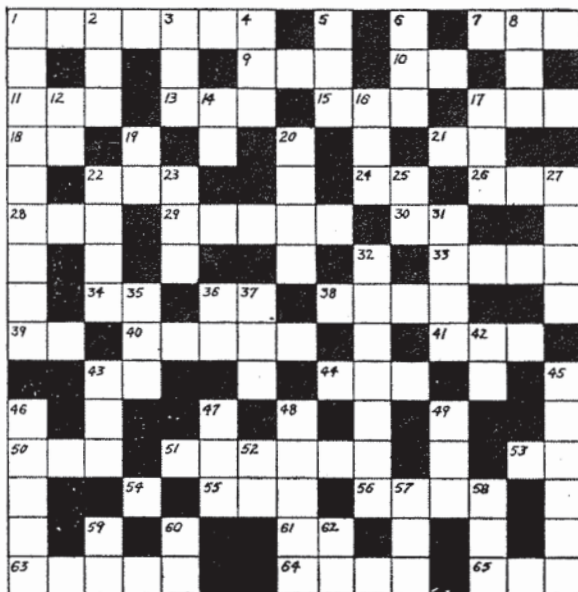
For solution see page 16.

## ACROSS:

- 1) A ham meeting.
- 7) A call acknowledging card.
- 9) Traffic (CW).
- 10) Code.
- 11) A ham radio outfit.
- 13) What a (.) sounds like.
- 15) Generator of frequencies.
- 17) A ham radio conversation.
- 18) One-million cycles.
- 21) A vacuum tube.
- 22) A short-wave listener.
- 24) Mutual conductance.
- 28) A circuit that is charged electrically.
- 28) A bunch of interconnected parts.
- 29) Type of tube base having eight pins and an aligning key.
- 30) No connection made.
- 33) Resistance is expressed in \_\_\_\_\_ (supply missing letters).
- 34) Break.
- 36) Call for all stations.
- 38) A bunch of frequencies.
- 39) A positive-potential grid.
- 40) A class of amateur operator license.
- 41) An effect connected with antennas.
- 43) Unit of inductance.
- 44) What is the correct time?
- 50) A radio amateur.
- 51) Class of ham license.
- 53) Reversing current.
- 54) Current flow.
- 55) A meter band used by amateurs.
- 56) A type of antenna named after its inventor.
- 61) After-all.
- 63) Medium of radio wave transmission.
- 64) Opposite of signal gain.
- 65) A type of battery cell.

## DOWN:

- 1) These are troublesome to some amateurs.
- 2) One-million cycles, ohms, etc.
- 3) Di-di-di-dah, di-dah.
- 4) Safety signal (CW).
- 5) An oscillator coupled by its electron stream.
- 6) Double cotton covered (wire).
- 8) Distress call (CW).
- 12) Vacuum tube cathode current.
- 14) Plate current flow.
- 16) A carrier of intelligence in communications.
- 17) A rig's location.
- 19) A wave that is continuous.
- 20) A type of transmission line used by hams.
- 22) Matching transformer.
- 23) An amateur radio station record book.
- 25) Minute.
- 27) To check equipment for proper operation.
- 31) Something you must learn to send and receive before you can obtain your ham license.
- 32) Type of oscillator circuit having a tapped inductance.
- 35) Ham radio operators often pound one.
- 36) Mid-tap (abbr.).
- 37) Shall I send more slowly?
- 42) Neon.
- 43) It's not good for a modulator to do this.
- 45) A ham license.
- 46) An inductance used to limit the flow of ac.
- 47) Potentiometer.
- 48) Last amplifying stage of a ham transmitter.
- 49) Something current does in an inductive circuit.
- 52) Di-di-di-dah, dit.
- 57) Address.
- 58) Continuous waves that are interrupted.
- 59) Watt-hour.
- 60) Regulates voltage.
- 62) Unmodulated carrier wave.





# Awards

(from CM/CO)

## 1) CUBA AWARD

Work 8 Cuban districts (CM-CO 1 to CM-CO8). Up to 3 missing districts may be replaced by club stations. Club stations are recognized by 2x3 call. All contacts made after January 1, 1959 count. Send your application with a GCR-list (a list of QSL's in your possession which must be signed by a radio club's officer or two other hams).

## 2) CARIBBEAN AWARD

To work this certificate, contact 20 or more countries in the Caribbean or around it. Example: XE, VPI (now V3), TG, HR, YN, TI, HP, HK, YV, and so on). KG6 does not count! All contacts after January 1, 1959 are ok. If a country changes its prefix, you may count both the old and the new one. One of the worked countries must be Cuba. Application like Cuba Award.

## CUBA DX GROUP AWARD

To work this award contact 4 members of the DX group. All contacts after January 1, 1980 count. There is no published membership list, so you have to ask during the QSO. Application by log only, it will be checked in Cuba.

### General rules for the Cuban Awards:

1. All bands and modes allowed.
2. Fee for each award is 12 IRC's or \$2.00.
3. All certificates will be sent by airmail.
4. Send your application to:

F.R.C. (award department)  
P.O. Box 1  
Habana 1 - CUBA

(As of September, 1981, courtesy of OZ1WL/DJ80T)

(from JA)

## ONE DAY WAC

For this award work all 6 continents within one day, 00.00 to 24.00 UTC. Apply by sending a GCR-list or photocopies of the QSL's to:

Insaji Shima, JA3AAA  
Kansai Branch JARL  
7-4-8 FURUICHI, HABIKINO  
OSAKA, JAPAN.

Fee for certificate is \$2.00. For the certificate and an engraved plaque it is \$10.00.

The plaque is made out of black wood, shows the JARL sign and a golden crown and is engraved with your call. Ther certificate

measures about 6x8 inches and is printed in multicolor.

(Information from JA3AAA as of May, 1981)

(from CE:)

## WACE—AWARD

This certificate (Worked all Chile) is issued by the 'Radio Club de Chile' for all licensed radio amateurs with proof contact of one CE-station in each of the 10 call districts CE1- CE0. The application can be a GCR-list, the following data must be copies from the QSL cards: call, date, time in UTC, report and mode. All contacts must be made from the same country. Application and 8 IRC's to:

Award Manager  
Radio Club de Chile  
Casilla No. 13630  
SANTIAGO DE CHILE - CHILE

This is the only official certificate issued by the Radio Club de Chile.

(as of August 1981, courtesy of DJ8VC)

(from JA:)

## SHOGUN AWARD

Issued by the 'Crazy Award Hunters Club' in Japan. Form the word **SHOGUN** from prefixes of QSL's you have in possession. Each QSL must be from a different DXCC country.

Example:

S SM, SP.  
H HK, HA, HB, HP. . .  
O OE, OK, OA, OH, ON. . .  
G G, GM, GU, GW. . .  
U UA, UP, UQ, UL. . .  
N N, NP, NA. . .

No restrictions for bands or mode. Application with GCR-list and 10 IRC's to:

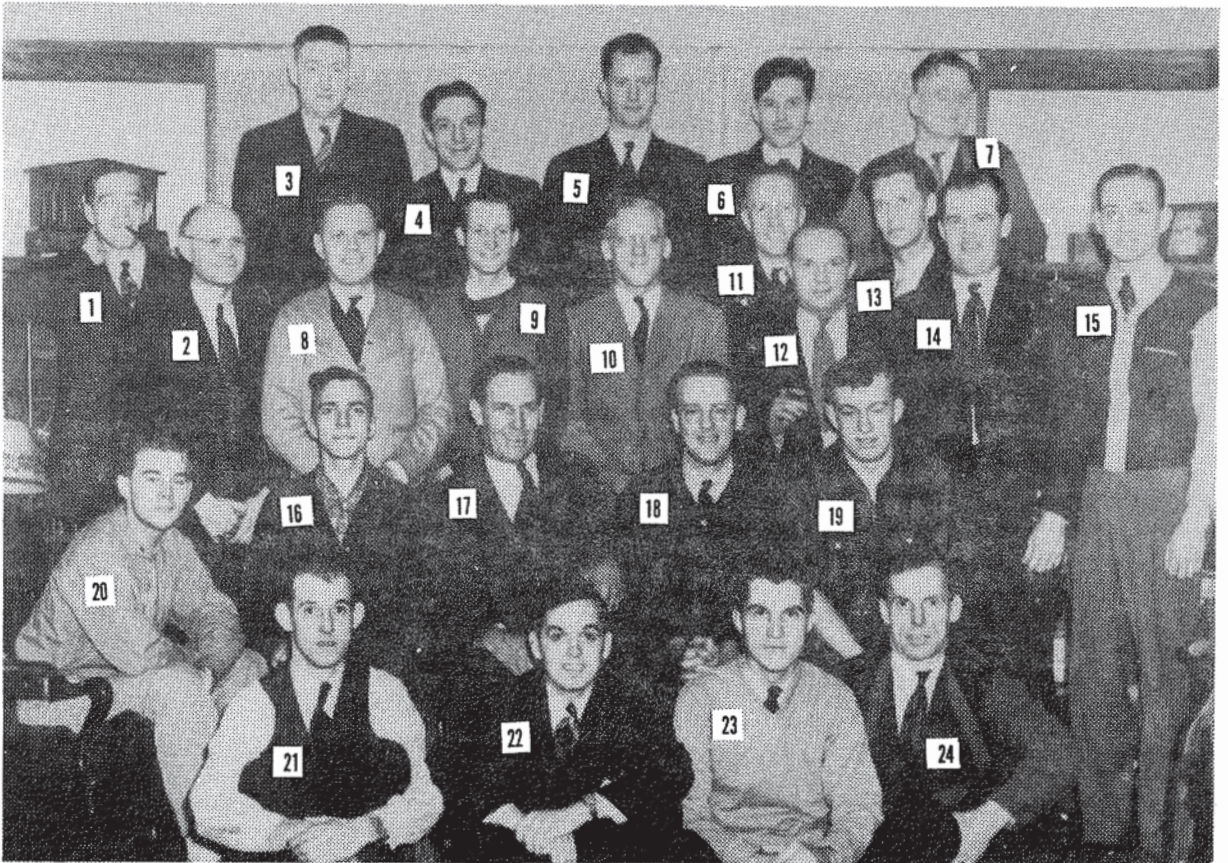
Taihei "Yasu" Myogan, JI1SPX  
2506 CHOGO  
FUJISAWA, 225 - JAPAN

(The certificate measures approx. 10 x 14 inches, and is printed in brown, black and grey onto textured yellow Japan paper. As of June 1981, JI1SPX).

de N9UN

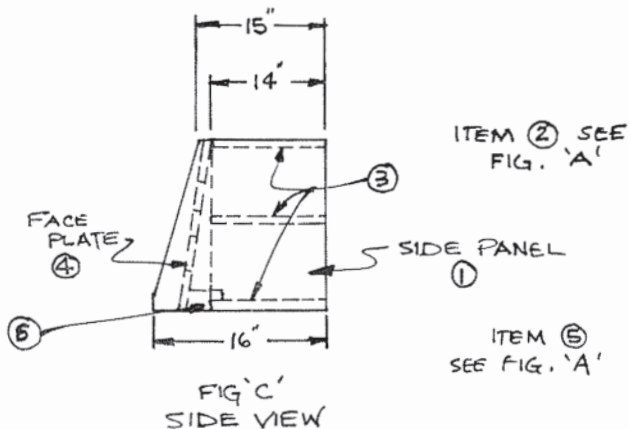
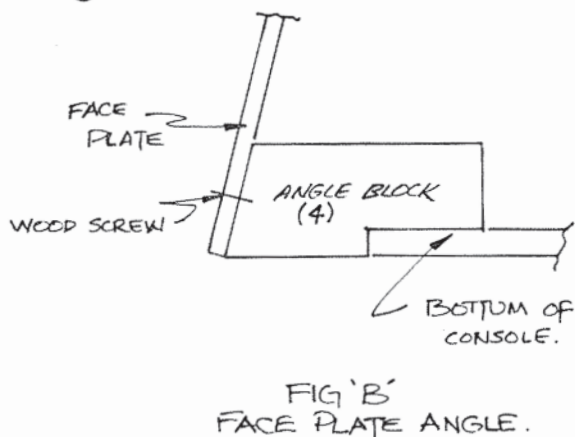
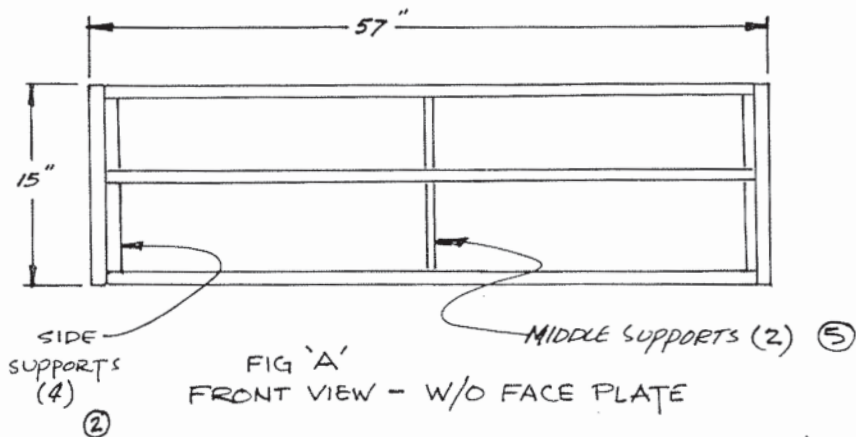
# WHO ARE THEY? December 4, 1940

"ROCKFORD RADIO CLUB"





# Weekend Project



## BILL OF MATERIALS

ITEM	QUANTITY	MATERIAL SIZE	DESCRIPTION
1	2	1/4 X 15/16"	Side Panel
2	4	Cut To Suit*	Side Panel Supports
3	3	1/4 X 14 X 58 1/2	Top, Middle, Bottom Shelves
4	1	1/4 X 15" X 58 1/4	Face Plate
5	2	Cut To Suit	Middle Supports
6	4	Cut To Suit	Angle Block
7	1	Cut To Suit	Face Plate Covering
8	—	Cut To Suit	Contact Paper
9	—	Size To Suit	Wood Screws

\* Design shown in figure "A" (Side Supports), Cut to size pending space between top and middle shelves.



# Weekend Project

Ever walk into your ham shack and say, "WHAT A MESS!!" You take notice of ham gear spreading from wall to wall, floor to ceiling and the real killer, coax looking like a plate of spaghetti. So you begin to do something to improve your station's appearance. First, you start by removing those unnecessary papers, books, and filled ash trays. Then you begin to remove a 1/16" of dust, at the same time straightening in place several pieces of gear.

Now you say to yourself "LOOKS GOOD!" Even your wife pats you on the back while commenting under her breath, "IT'S ABOUT TIME!!!" . . . Well several days later after logging in numerous contacts your station begins to take on a very familiar appearance. Here you go again, back to the old cleaning routine.

Well here is a solution to enhance the appearance of your hard earned hobby. Why not build yourself a radio station console? "Too much hassle you say? . . . Costs too much? . . . Takes up too much room! . . . *WRONG OH - GREAT RADIO BUFF!!!*

I'm not one to be known as a handyman around the house, but I do hold my own on a few things. Faced with these problems I began to think about building a console. It wasn't until one Sunday morning when I visited my good friend Dick-N9CCC when the ball started rolling. As I walked into his shack I couldn't help but notice his radio console. My first response was, "WHEN DID YOU BUILD THAT?!" Dick sat back in his easy chair with pipe in hand and said "LAST NIGHT!" I could only comment on how great it looked.

Well from that point on the old wheels started turning. So I found myself making freehand sketched searching for a design to suit my needs. The rest is history.

Before you tear down to the basement to start construction, here are a few considerations you should think about:

- 1) Build with future in mind. (Leave room for next year's new rig.)
- 2) Accessibility to equipment.
- 3) Weight
- 4) Can I add on without having to totally rebuild.

Use of 1/4" plywood (Finished on one side) will do just fine. Keep in mind however to use (2) 1/4 sections for each side and (1) section for the middle. See Figure "A".

Basically there are two types of consoles one would need. First, if you want to do it up big, build a floor type console. This includes base and top console all built as one unit. Very nice, but costly. Second, one would consider a desk type console. That is to say one which will sit on top of an existing desk. For this console few materials are needed. I used less than two 4' x 8' sheets of 1/4" plywood with plenty left over.

To construct the shell of the console (Fig. A) will pose no problems. Notice that all saw cuts are straight - No angles. Of course for best results use a table saw.

What did pose problems however was the face plate; mainly in the placement of equipment versus the cutting of holes for the exposure. One thing to keep in mind is to allow 1/16" or so of clearance on each side of the cutouts. This gap will be taken up by the material used to cover the face plate. I used a black leather covering.

Figure 'C' will show you how the face plate fits into the overall unit.

Sorry I don't have any pictures of the console, but if any of you are serious about building a console of your own, please give me a call and I'll extend an invitation to you to stop by and view it in real life.

**-73, WD9FV**

# Ham Mart



## FOR SALE

GEM-QUAD antenna. 2-element for 10, 15 and 20 meters. \$100.00.

Wilson system-36 antenna. 6-element for 10, 15 and 20 meters with 40 meter add on. Uses only one coax. New. \$175.00.

Call **FRANK/K9VMI** at 964-2923.

## FOR SALE

## FOR SALE

Icom IC-22S with synthesizer. \$175.00.

Call **RON/WB9IMR** at 234-5698 after 6:30 p.m.

## FOR SALE

## FOR SALE

Hallic SX-101A - \$125.00.

Hammarland SP-600 & accessories \$300.00.

GE General coverage upright (antique) \$100.00

Crosley Cathedral (1933) \$50.00.

Army Frequency Meter \$25.00.

Call **DENNIS/WD9GYW** at 1/874-7417 anytime.

## FOR SALE

**ROCKFORD AMATEUR RADIO ASSOCIATION**  
**P.O. BOX 1744 ROCKFORD, ILLINOIS 61110**

ADDRESS CORRECTION REQUESTED

BULK RATE  
 U. S. POSTAGE

**PAID**

ROCKFORD, IL  
 Permi No. 230

## NETS;

28.7 Mhz. Monday 9:00 P.M.

50.4 Mhz. Nightly 9:00 P.M.

146.01/.61 Mhz. Monday 8:00 P.M.

**BLACK HAWK VALLEY**  
**TEN TEN INTERNATIONAL**

28.925 Mhz. Wednesday 9:00 P.M.

21.130 Mhz. Thursday 9:00 P.M.